



CATALYST

5, 5Vx, 5Ti, 5TTL
4, 4C, 4TTL, Spark

USER INSTRUCTION MANUAL & WARRANTY

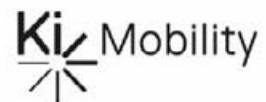


Table of Contents

Thank you for purchasing a Catalyst or Spark wheelchair!

Please do not use this wheelchair without first reading this entire manual. BEFORE riding, you should be trained in the safe use of this chair by an Assistive Technology Practitioner (ATP) or clinical professional.

I. INTRODUCTION.....	3
II. TABLE OF CONTENTS.....	4
III. NOTICE – READ BEFORE USE.....	6
A. Your Safety and Stability.....	6
IV. WARNINGS.....	6
A. Signal Words.....	6
B. General Warnings.....	7
C. Positioning Belts.....	8
D. Riding Your Wheelchair.....	9
E. Power Drives.....	10
F. Ascending Stairs.....	10
G. Descending Stairs.....	10
H. Transfers.....	11
I. Your Wheelchair and the Environment.....	11
J. Modifying Your Wheelchair.....	12
K. Wheelchair Stability.....	12
V. SET UP AND USE OF YOUR WHEELCHAIR.....	14
A. Your Catalyst / Spark & Its Parts.....	14
B. Transit Use.....	16
C. Height Adjustable T-Arms.....	19
1. Installation.....	19
2. Height Adjustment.....	19
3. Removing Armrest.....	19
4. Replacing Armrest.....	19
D. Swing-Away Armrests.....	20
1. Installation.....	20
2. Swinging Away Armrest.....	20
3. Removing Armrest.....	20
E. Adjustable Locking Flip-Up Armrests.....	21
1. Lifting Up Armrest.....	21
2. Adjusting Armrest.....	21
F. Flip-Back / Flip-Back Height Adjustable Armrests.....	22
1. Move for Transfer.....	22
2. Height Adjustment.....	22
G. Armrest Warnings.....	22
H. Hangers.....	23
1. Installation.....	23
2. Swinging Away.....	23
3. Removal.....	23
I. Extension Tubes.....	24
J. Elevating Leg Rest.....	25
1. Installation.....	25
2. Removal.....	25
3. Extension Tube Adjustment.....	25
4. Angle Adjustment.....	25



Table of Contents

K. Adjustable Height Backrest.....	26
1. Height Adjustment	26
L. Depth Adjustable Backrest.....	26
1. Angle Adjustment.....	26
2. Folding	26
3. Depth Adjustment	26
M. Wheel Installation & Removal.....	27
1. Installing Wheels	27
2. Adjusting Axles	27
3. Removing Wheels	27
N. CATALYST 5 & Ti	28
1. Center Of Gravity	28
2. Wheel Camber.....	28
3. Adjusting the Wheel Base Width.....	29
4. Rear Seat Height Adjustment	29
O. CATALYST 5Vx.....	30
1. Center Of Gravity	30
2. Rear Seat Height Adjustment	30
3. Wheel Base Width Adjustment	30
P. CATALYST 4 & 4C.....	31
1. Rear Seat Height Adjustment.....	31
Q. SPARK.....	32
1. Folding Frame	32
2. Adjusting Frame Width	33
R. Upholstery Fabric	33
S. Wheel Locks	34
T. Caster Forks.....	35
U. Caster Angle Adjustment	35
V. Anti-Tips	36
1. Installing Anti-Tips.....	36
2. Adjusting Position of Anti-Tip Receiver	36
3. Adjusting Height of Wheel Extension	37
4. Turning Anti-Tip Tubes Up	37
W. Seat Sling	38
X. Cushion Installation	38
Y. Oxygen Tank Holder.....	38
VI. MAINTENANCE	39
A. Inspecting Your Wheelchair	39
1. General Inspections	39
B. Cleaning	41
1. Axles and Wheels.....	41
2. Upholstery	41
C. Storage.....	41
VII. WARRANTY	42

III. NOTICE - READ BEFORE USE

A. Your Safety and Stability

Ki Mobility manufactures many different wheelchairs that might meet your needs. You should consult an Assistive Technology Professional when selecting which model would best meet your particular requirements and how the wheelchair should be set up and adjusted. Final selection of the type of wheelchair, options and adjustments rests solely with you and your medical professional. The options you choose and the set-up and adjustment of the wheelchair have a direct impact on its stability. Factors to consider that affect your safety and stability are:

- Your personal abilities and capabilities including strength, balance and coordination.
- The types of hazards and obstacles you might encounter during your day.
- The specific dimensions, options and set up. In particular, the seat height, seat depth, seat angle, back angle, size and position of the rear wheels and size and position of the front casters. Any change to any of these items will change the stability of your wheelchair. You should only make changes after consulting with a qualified professional.

IV. WARNINGS

A. Signal Words

Within this manual you will find what are referred to as “Signal” words. These words are used to identify and convey the severity of varying hazards. Before using this chair you, and each person who may assist you, should read this entire manual. Please note the Signal word and consider any warnings, cautions or dangers. Make sure to follow all instructions and use your chair safely. The Signal word refers to a hazard or unsafe practice that may cause severe injury or death to you or to other persons. The “Warnings” are in three main categories, as follows:

DANGER – Danger indicates an imminently hazardous situation which, if not avoided, will result in serious injury or death.

WARNING – Warning indicates a potentially hazardous situation which, if not avoided, could result in serious injury or death.

CAUTION – Caution indicates a potentially hazardous situation which, if not avoided, could result in injury or damage to your wheelchair.

These signal words will be placed throughout the manual, where appropriate to highlight the hazardous situation. Refer to the following list for hazardous situations that will apply to the general use of this wheelchair.

IV. WARNINGS

B. General Warnings

WARNING

WARNING: Do not exceed the weight limit of 250 pounds (350 pounds for heavy duty option) for the Catalyst or Spark. This is the combined weight of user and all items carried. Exceeding the weight limit can cause damage to your chair or increase the likelihood of a fall or tip back resulting in severe injury or death to the user or others.

DANGER

DANGER: Do not use this chair for weight training. The movement of the additional weight will alter the center of gravity of the wheelchair increasing the likelihood of a tip-over which can cause damage to your chair or cause severe injury or death to the user or others.

WARNING

WARNING: If your wheelchair is equipped with inflatable tires, make sure the tires have been inflated to the correct tire pressure as indicated on the side wall of the tire. Your wheelchair provider can determine if you have inflatable tires. Using your wheelchair without properly inflated tires can have an effect on the stability of the wheelchair causing it to tip over resulting in death or injury to the user or others.

DANGER

DANGER: Do not attempt to push your wheelchair up or down ramps or traverse across a slope of greater than 9 degrees. This is dangerous and increases the likelihood of a fall or tip back resulting in severe injury or death to the user or others.

WARNING

WARNING: Do not attempt to push your wheelchair up an incline that is slick or coated with ice, oil or water. This can cause an unstable situation resulting in death or injury to the user or others.

WARNING

WARNING: Do not lean over the side or back of the wheelchair to extend your reach. This may cause you to fall out of the wheelchair or the wheelchair to tip over resulting in injury or death.

DANGER

DANGER: Do not attempt to lift the wheelchair by holding on to removable parts such as the arms or footrests. Only lift the wheelchair by holding on to the frame. This may cause a fall or loss of control and result in serious injury or death.

CAUTION

CAUTION: Do not over tighten the bolts and hardware that attaches various components together on the frame. This could cause serious damage and affect the safety and durability of the wheelchair.

IV. WARNINGS

C. Positioning Belts

Positioning belts are designed to assist with proper positioning within the wheelchair. They are not designed as seat belts. Use positioning belts ONLY to help support the user's posture. Misuse of positioning belts may cause severe injury to or death of the user.

- Ensure the user does not slide underneath the positioning belt in the wheelchair seat. If this occurs, the user's breathing may be hampered causing death or serious injury.
- The positioning belt should have a snug fit; tight enough to hold their position, but not so tight as to restrict breathing. You should be able to slide your hand between the positioning belt and the user.
- **NEVER** Use Positioning Belts:
 - a) As a restraint. A restraint requires a doctor's order.
 - b) On a user who is unconscious.
 - c) As an occupant restraint in a motor vehicle. A positioning belt is not designed to replace a seat belt that is attached to the frame of a vehicle, which would be required of an effective seat belt. During a sudden stop, with the force of the stop, the user would be thrown forward. Wheelchair seat belts will not prevent this, and further injury may result from the belts or straps.

DANGER

DANGER: Failure to comply with the instruction above could result in serious injury or death.

IV. WARNINGS

D. Riding Your Wheelchair

Your chair is designed for use on solid, flat surfaces such as concrete, asphalt and flooring. Use caution if you push your wheelchair on a wet or slick surface.

WARNING

WARNING: Do not push your chair in sand, loose soil or over rough terrain. This may cause a loss of stability and result in a fall or loss of control and cause serious injury or death.

DANGER

DANGER: In most states, wheelchairs are not legal for use on public roads. If you find you must push on a public road, be alert to the danger of motor vehicles. Use of a wheelchair on a public road can cause serious injury or death.

WARNING

WARNING: Obstacles and road hazards (such as potholes and broken pavement) can damage your chair and may cause a fall, tip-over or loss of control. Failure to comply with this instruction could result in serious injury or death.

DANGER

DANGER: Do not ride your wheelchair on an escalator. Use of a wheelchair on an escalator can cause serious injury or death.

To minimize these risks:

- 1) Keep a lookout for danger-scan the area well ahead of your chair as you ride.
- 2) Make sure the floor areas where you live and work are level and free of obstacles.
- 3) Remove or cover threshold strips between rooms.
- 4) Install a ramp at entry or exit doors. Make sure there is not a drop off at the bottom of the ramp.
- 5) To Help Correct Your Center Of Balance:
 - a) Lean your upper body FORWARD slightly as you go UP over an obstacle.
 - b) Press your upper body BACKWARD as you go DOWN from a higher to a lower level.
- 1) If your chair has anti-tip tubes, lock them in place before you go UP over an obstacle.
- 2) Keep both of your hands on the handrims as you go over an obstacle.
- 3) Never push or pull on an object (such as furniture or a doorjamb) to propel your chair.
- 4) Do not operate your wheelchair on roads, streets or highways
- 5) Do not attempt to push over obstacles without assistance.

IV. WARNINGS

E. Power Drives

Ki Mobility does not recommend the installation of power drive systems on any Catalyst wheelchair.

Catalyst wheelchairs have not been designed or tested as power wheelchairs. If you add a power drive system to a Catalyst or Spark wheelchair, be sure the manufacturer of the power drive system has validated and approved the combination of the power drive system and Catalyst wheelchair as safe and effective.

WARNING

WARNING: Use of a power drive system that has not been properly validated could result in serious injury or death.

F. Ascending Stairs

- Have at least two people, who have sufficient strength and skill to handle the weight of the user and wheelchair, assist when trying to go up a set of stairs in this wheelchair.
- Move the wheelchair and user **backwards** up the stairs.
- One person behind the user, one person in front. The person in front must hold onto a non-removable part of the wheelchair.
- The rear attendant tilts the chair back and they both lift together. Take one step at a time.
- This may require the anti-tips be flipped up or removed. Make sure the anti tips are reattached or flipped back down before using the wheelchair.

DANGER

DANGER: Failure to comply with the instructions above could result in serious injury or death.

G. Descending Stairs

- When descending a set of stairs the user should be facing **forward**.
- A person behind the user, who has sufficient strength and skill to handle the weight of the user and the wheelchair, should tilt the chair backward and let the chair down the stairs one step at a time on the rear wheels.
- This may require that anti-tips be flipped up or removed. Make sure the anti-tips are reattached or flipped back down before using the wheelchair.

DANGER

DANGER: Failure to comply with the instructions above could result in serious injury or death.

IV. WARNINGS

H. Transfers

A transfer requires good balance and stability. You should receive training from your therapist before attempting to do a transfer on your own.

- Before transferring out of your wheelchair every caution should be taken to reduce the gap between the two surfaces.
- Engage the wheel locks to lock the rear wheels.
- Rotate the casters forward to increase the wheelbase of the wheelchair.
- Remove or swing away the footrests
- Have someone assist you unless you are well experienced in transfers.

It is dangerous to transfer on your own. It requires good balance and agility. Be aware there is a point during every transfer when the wheelchair seat is not below you.

WARNING

WARNING: Failure to perform a transfer properly can result in a fall and can cause severe injury or death.

I. Your Wheelchair and the Environment

- Your wheelchair is made of many different materials including metal and fabric. Exposure to water or excessive moisture may cause the metal in the wheelchair to rust or corrode and the fabric to tear. Dry your chair as soon as possible if exposed to water.
- DO NOT USE YOUR WHEELCHAIR IN A SHOWER, POOL OR BODY OF WATER. This will cause your wheelchair to rust or corrode and eventually fail.
- Do not operate your wheelchair in sand. Sand can get into the wheel bearings and moving parts. This will cause damage and eventually will cause the wheelchair to fail.
- Make sure any ramp, slope or curb cut you may attempt to ride on is compliant with ADA guidelines. Riding across, up or down any slope that is too great may cause a loss of stability.

ADA Guidelines and more information about accessible design are available at <http://www.ada.gov/>

WARNING

WARNING: Failure to comply with the instructions above may cause a fall or loss of control, which may result in serious injury or death.

IV. WARNINGS

J. Modifying your Wheelchair

Your wheelchair was engineered and manufactured under strict design controls. An integral part of this process is ensuring the various components work together correctly; they have been tested to various standards to ensure quality and are approved to work together.

NO ONE SHOULD MODIFY THIS WHEELCHAIR EXCEPT BY ASSEMBLING APPROVED OPTIONS. THERE ARE NO APPROVED OPTIONS THAT INVOLVE DRILLING OR CUTTING THE FRAME BY ANYONE OTHER THAN A TRAINED KI MOBILITY ASSOCIATE. Contact Ki Mobility or an authorized Ki Mobility supplier before adding any accessories or components not provided by Ki Mobility

DANGER

DANGER: Failure to comply to these instructions may cause the wheelchair to fail and result in serious injury or death.

K. Wheelchair Stability

To ensure proper stability of your wheelchair you must make sure the center of gravity and the wheelchairs base of support is correct for your balance and abilities. Many factors can affect these two elements;

- Seat height
- Size and position of rear wheels
- Seat depth
- Size and position of front casters
- Back angle
- Any seating system components

Generally, the most important factor is the position of the rear wheels for rearward stability. There are other actions than can have an adverse effect on your stability. You should consult with your wheelchair provider and clinicians familiar with your needs and capabilities in determining how this affects your use.

WARNING

Moving the rear wheels forward increases the likelihood of the wheelchair tipping backwards. Make small adjustments and proceed slowly until you learn the new balance point of your wheelchair. **Failure to comply with the instruction above could result in serious injury or death.**

WARNING

The farther rearward you place the front casters the greater the likelihood of the wheelchair tipping forwards. If possible, have your casters mounted forward and, whenever doing a static activity which involves shifting your weight, rotate the casters forward to increase your wheel base. **Failure to comply with this instruction above could result in serious injury or death.**

WARNING

Always have a qualified technician set up your wheelchair with the accessories you plan to use daily.

Changes to how you sit or changes in your weight require your chair to be re-adjusted by a qualified technician. Always use anti-tips while you acclimate to any changes in your chair set up. **Failure to comply with the instruction above could result in serious injury or death.**

IV. WARNINGS

K. Wheelchair Stability (Continued)

⚠ WARNING ⚠

WARNING: Changes to your Center of Gravity during your daily activities may occur many times a day and change and affect the stability of your wheelchair. You should be aware of these activities and take precautions to minimize the risk of a fall. Failure to comply with the instruction above could result in serious injury or death.

⚠ WARNING ⚠

WARNING: Dressing in your wheelchair produces movements and momentary positions that can reduce stability. Insure that your anti-tips are in place and rotate your casters forward. Failure to comply with the instruction above could result in serious injury or death.

⚠ WARNING ⚠

WARNING: Be very careful when reaching for objects if this movement requires you to shift in your seat. This changes your center of gravity. Insure that your anti-tips are in place. Failure to comply with the instruction above could result in serious injury or death.

⚠ WARNING ⚠

WARNING: Pushing up an incline shifts your center of gravity rearward and can reduce stability. Ensure your anti tips are in place. Failure to comply with the instruction above could result in serious injury or death.

⚠ WARNING ⚠

WARNING: If attempting a wheelie to get over a curb or obstacle, ensure your anti-tips are in place and lean forward. Do not attempt a wheelie unless you have been trained and always have an attendant behind you to provide assistance if needed. Failure to comply with the instruction above could result in serious injury or death.

⚠ WARNING ⚠

WARNING: Placing items on the back or front of your wheelchair, such as a backpack or briefcase, alters the balance and center of gravity of the wheelchair. Since the weight of these items can vary greatly at each use do not assume you are accustomed to the balance point. Failure to comply with the instruction above could result in serious injury or death.

BE AWARE THAT CARRYING HEAVY OBJECTS ON YOUR WHEELCHAIR CAN HAVE AN ADVERSE AFFECT ON THE BALANCE WHICH MAY CAUSE A TIP OVER WHICH MAY RESULT IN SERIOUS INJURY OR DEATH TO THE USER.

⚠ WARNING ⚠

WARNING: Insure your anti-tips are in place. You should discuss how you plan to use your wheelchair or any changes you are planning with your clinician. Failure to comply with this instruction may create a potential hazardous situation which, if not avoided, could result in serious injury or death.

V. SET UP & USE OF YOUR WHEELCHAIR

A. Your Catalyst / Spark & It's Parts

- Inspect and maintain this chair strictly per Maintenance Chart in Section VI.
- If you detect a problem, make sure to service or repair the chair before use.
- Have a complete inspection, safety check and service of your chair performed by an authorized supplier annually.

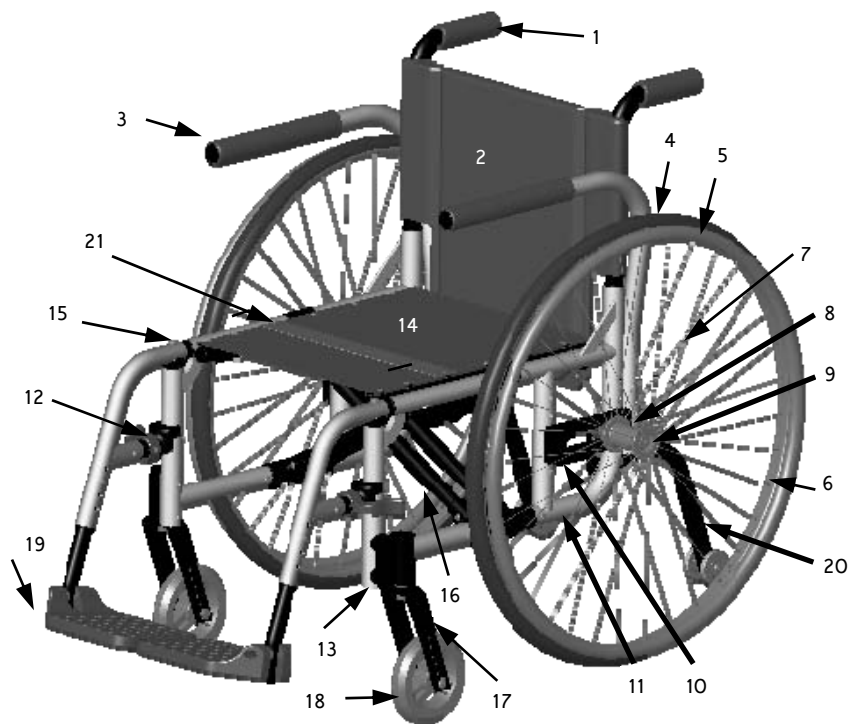
⚠ WARNING ⚠

WARNING: Failure to read or comply with these instructions may result in damage to your wheelchair, a fall or loss of control causing severe injury to the user or others.



V. SET UP & USE OF YOUR WHEELCHAIR

A. Your Catalyst / Spark & It's Parts (Continued)



- | | |
|------------------------------|-----------------------------------|
| 1. Push Handle Backrest Tube | 12. Swing-Away Latch Release |
| 2. Backrest | 13. Caster Housing |
| 3. Swing-Away Padded Armrest | 14. Seat Sling |
| 4. Pneumatic Tire | 15. Swing-Away Footrest/Front End |
| 5. Aluminum Handrim | 16. Cross brace |
| 6. Aluminum Wheel Rim | 17. Caster Fork |
| 7. Spokes | 18. Caster Wheel |
| 8. Rear Wheel Hub | 19. Flip-Up Composite Footrest |
| 9. Quick-Release Axle | 20. Anti Tipper |
| 10. Axle Plate | 21. Lifting Strap |
| 11. Rear Frame Component | |

V. SET UP & USE OF YOUR WHEELCHAIR

B. Transit Use

It is always safest to transfer out of your wheelchair onto a seat in a motor vehicle with appropriate seat and shoulder belts. **Never use this wheelchair as a seat in a motor vehicle unless it has been equipped with the Transit Option.**

The Catalyst 5 Series and Spark Series wheelchair equipped with the Transit Option has been tested to and passed the **RESNA WC-4:2012, Section 19: Wheelchairs used as seats in motor vehicles** and **ISO 7176-19:2008 Wheelchairs -- Part 19: Wheeled mobility devices for use as seats in motor vehicles**. RESNA and ISO standards are designed to test the structural integrity of the wheelchair as a seat for use in a motor vehicle. These standards are also designed to create compatibility with **Wheelchair Tie-down and Occupant Restraint Systems (WTORS)**.

Not all configurations of the Catalyst 5 Series and Spark Series wheelchairs are compatible with the Transit Option. Ki Mobility manages the configuration and does not offer the Catalyst 5 Series or Spark Series wheelchair except in compatible configurations. If you make changes to your Catalyst 5 Series or Spark Series wheelchair after you receive it, you should contact your wheelchair provider or Ki Mobility to make sure it is appropriate to continue to use your wheelchair as a seat in a motor vehicle.

If your Catalyst 5 Series wheelchair is equipped with the Heavy Duty Option and the Transit Option you should not use it as a seat in a motor vehicle if you weigh more than 300 lbs.

If your Spark Series wheelchair is equipped with the Heavy Duty Option and the Transit Option you should not use it as a seat in a motor vehicle if you weigh more than 165 lbs.

Aftermarket seating may have replaced the original equipment seat and back support designed and tested as part of the Transit Option. Your wheelchair provider should tell you if the seating they provided is original equipment or replacement aftermarket seating. A complete system of wheelchair frame, seating, **Wheelchair Tie-down and Occupant Restraint Systems** and a properly equipped motor vehicle, that have all complied with the standards mentioned in this section, should be in place before using a Catalyst 5 Series or Spark Series wheelchair equipped with the Transit Option as a seat in a motor vehicle.

When using your wheelchair as a seat in a motor vehicle you should always observe the following instructions:

- The rider must be in a forward-facing position.
- The rider must not weigh more than 300 lbs for Catalyst 5 Series.
- The rider must not weigh more than 165 lbs for Spark Series.
- Back packs and pouches should be removed and secured separately in the motor vehicle. In the event of an accident these items can become dangerous projectiles, which may injure or kill you or other occupants of the motor vehicle.
- The rider must use a **Wheelchair Tie-down and Occupant Restraint System** that complies with **RESNA WC-4:2012, Section 18: Wheelchair tiedown and occupant restraint systems for use in motor vehicles** or **ISO 10542-1:2012 Technical systems and aids for disabled or handicapped persons -- Wheelchair tie-down and occupant-restraint systems -- Part 1: Requirements and test methods for all systems**.

V. SET UP & USE OF YOUR WHEELCHAIR

B. Transit Use (Continued)

- Attach wheelchair tie-downs to the four securement points (two front, two rear) on the Catalyst or Spark wheelchair with the Transit Option (Fig. 1) in accordance with the wheelchair tie-down manufacturer's instructions and **RESNA WC-4:2012, Section 18** or **ISO 10542-1:2012 - Part 1**.
- Attach occupant restraints in accordance with the occupant restraint manufacturer's instructions and **RESNA WC-4:2012, Section 18** or **ISO 10542-1:2012, Part 1**.
- Use of lap belts, chest straps, shoulder harnesses, any other positioning strap system or positioning accessory should not be used, or relied on as an occupant restraint, unless it is marked as such by the manufacturer in accordance with **RESNA WC-4:2012, Section 18** or **ISO 10542-1:2012, Part 1**.
- Use of headrests, lateral supports or other positioning accessories should not be used, or relied on as an occupant restraint, unless it is marked as such by the manufacturer in accordance with **RESNA WC-4:2012, Section 18** or **ISO 10542-1:2012, Part 1** or **RESNA WC-4:2012, Section 20: Wheelchair seating systems for use in motor vehicles** or **ISO 16840-4:2009 Wheelchair seating -- Part 4: Seating systems for use in motor vehicles**.
- After being fitted and adjusted, the top of the original equipment back upholstery should be within 4 inches of the top of your shoulder.
- Any aftermarket seating should be tested to comply with **RESNA WC-4:2012, Section 20** or **ISO 16840-4:2009 - Part 4**.
- Attach the seating to the wheelchair frame in accordance with the seating manufacturer's instructions and **RESNA WC-4:2012, Section 20** or **ISO 16840-4:2009 - Part 4**.
- Use of lap belts, chest straps, shoulder harnesses, any other positioning strap system or positioning accessory should not be used, or relied on as an occupant restraint, unless it is marked as such by the seating manufacturer in accordance with **RESNA WC-4:2012, Section 20** or **ISO 16840-4:2009 - Part 4**.
- Use of headrests, lateral supports or other positioning accessories should not be used, or relied on as an occupant restraint, unless it is marked as such by the seating manufacturer in accordance with **RESNA WC-4:2012, Section 20** or **ISO 16840-4:2009 - Part 4**.
- Aftermarket accessories such as trays, oxygen tank holders, oxygen tanks, IV poles, back packs, pouches and other items not manufactured by Ki Mobility should be removed and secured separately in the motor vehicle. In the event of an accident these items can become dangerous projectiles, which may injure or kill you or other occupants of the motor vehicle.
- If the wheelchair has been involved in an accident, you should not continue to use it, as it may have suffered fatigue that may not be visible.

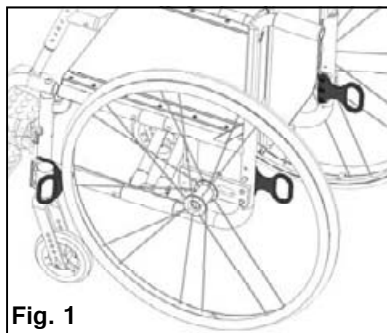


Fig. 1

V. SET UP & USE OF YOUR WHEELCHAIR

B. Transit Use (Continued)



DANGER: Failure to comply with transit use instructions, on pages 16 and 17, could result in severe injury or death!

- When using this wheelchair as a seat in a motor vehicle you must remove the oxygen tank and properly secure it separately.



DANGER: Failure to remove the oxygen tank and secure it properly in a motor vehicle can result in it becoming dangerous projectile in the event of an accident. This can cause severe injury or death.

NOTE: To obtain a copies of RESNA or ISO standards please contact the standards organizations below:

RESNA

1700 North Moore St., Suite 1540

Arlington, VA 22209

Phone: 703-524-6686

Fax: 703-524-6630

Email: technicalstandards@resna.org

ANSI/RESNA Standards:

RESNA WC-4:2012, Section 18:

Wheelchair tie-down and occupant restraint systems for use in motor vehicles.

RESNA WC-4:2012, Section 19:

Wheelchairs used as seats in motor vehicles

RESNA WC-4:2012, Section 20:

Wheelchair seating systems for use in motor vehicles.

International Organization for Standardization (ISO)

ISO Central Secretariat

1, ch. de la Voie-Creuse

CP 56

CH-1211 Geneva 20 Switzerland

Phone: +41 22 749 01 11

Fax : +41 22 733 34 30

Email: central@iso.org

ISO Standards:

ISO 10542-1:2012 Technical systems and aids for disabled or handicapped persons -- Wheelchair tie-down and occupant-restraint systems -- Part 1: Requirements and test methods for all systems.

ISO 16840-4:2009 Wheelchair seating -- Part 4:

Seating systems for use in motor vehicles.

ISO 7176-19:2008 Wheelchairs -- Part 19:

Wheeled mobility devices for use as seats in motor vehicles.

V. SET UP & USE OF YOUR WHEELCHAIR

C. Height-Adjustable T-Arms

1. Installation

- Slide the outer armpost into the receiver mounted to the wheelchair frame.
- The armrest will automatically lock into place. Check to make sure the locking lever is as shown (Fig. 2 B)

2. Height Adjustment

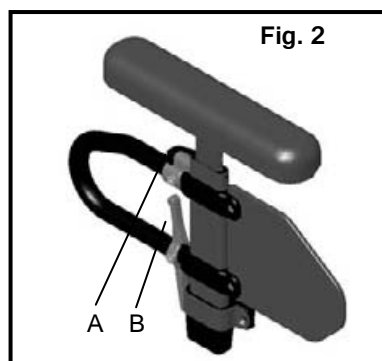
- Rotate release lever (Fig. 2 A)
- Slide armrest pad up or down to desired height.
- Return lever to locked position against arm post.
- Push arm pad until upper arm post locks firmly into place. Check to make sure the locking lever is as shown (Fig. 2 A)

3. Removing Armrest

- Squeeze release lever (Fig. 2 B) and remove the armrest.

4. Replacing Armrest

- Slide armrest back into receiver.
- The armrest should lock back into place.



▲ DANGER ▲

DANGER: Failure to comply with the instructions above may result in the armrest accidentally disconnecting from the wheelchair and result in a fall or loss of control and may cause serious injury or death.

▲ DANGER ▲

DANGER: Never attempt to lift the chair by the armrests; they may break or disconnect resulting in a fall or loss of control and may cause serious injury or death.

V. SET UP & USE OF YOUR WHEELCHAIR

D. Swing-Away Armrests (Fig. 3)

1. Installation

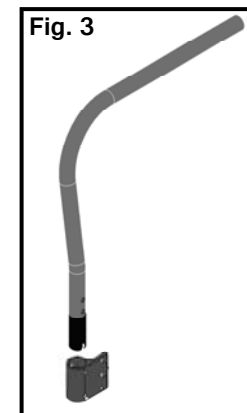
- Slide armrest into the tube of the receiver that is mounted on rear side of frame.

2. Swinging Away

- Lift armrest slightly so it is free of the receiver bolt. Rotate away from the chair.

3. Removing Armrest

- Lift armrest straight out of receiver.



▲ DANGER ▲

DANGER: These arms offer only a lock against rotation and are designed to bear a downward force only. They will remove completely if pulled up on and cannot be used to lift or otherwise handle the chair. Failure to comply with the instructions above may result in the armrest accidentally disconnecting from the wheelchair and result in a fall or loss of control and may cause serious injury or death.

V. SET UP & USE OF YOUR WHEELCHAIR

E. Adjustable Locking Flip-Up Armrests (Fig. 4-6)

1. **To Lift Up** - Push or pull lever (A) until pin releases and arm is able to swing up. Lift arm assembly.

Arm is adjustable in 3 ways

1. **The arm tube can be lengthened (Fig. 4).** Unscrew the Philips head screws (B) attaching the pad to the tube. Also remove the M6 button head screw (C) with an M4 Allen wrench. Once removed, the tube will slide forward in 1/2" increments. Choose the position needed and reinsert the M6 button head screw into the new position. The Pad will then fit back onto the tube. Repeat on the opposite side.
2. **The height of the arm, relative to the seat, can be changed (Fig. 5).** Remove the two 6mm hex bolts (D) that attach the clamp to the frame (as shown) with 10mm open end wrenches. The arm is then adjustable up or down in 1/2" increments. Reposition arm as desired and reinsert bolts and tighten nuts. Repeat on opposite side.
3. **The angle of the arm, relative to the back, can be changed (Fig. 6).** Remove the two M6 bolts (E) with an M4 Allen wrench. Rotate the assembly to the desired angle. After rotating two sets of holes (on opposite sides of the bracket) will align. Reinsert the M6 bolts into this pair of holes. Repeat on the opposite side.

Fig. 4

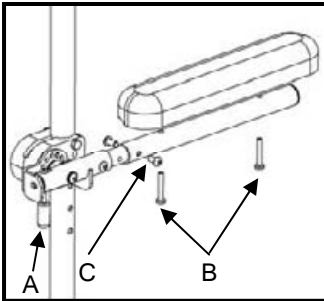


Fig. 5

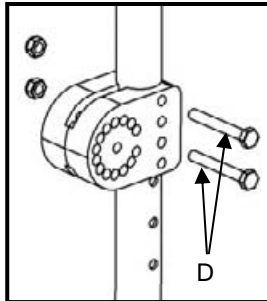
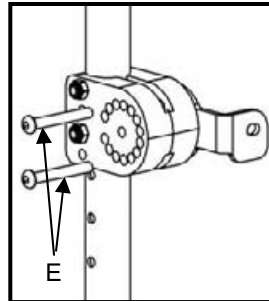


Fig. 6



⚠ DANGER ⚠

DANGER: Always make sure the arms are locked in place before using them for repositioning yourself failure to do so may result in a fall or loss of control and may cause serious injury or death

⚠ DANGER ⚠

DANGER: Never attempt to lift the chair by the armrests; they may break or disconnect resulting in a fall or loss of control and may cause serious injury or death.

V. SET UP & USE OF YOUR WHEELCHAIR

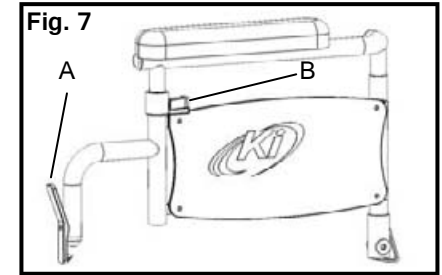
F. Flip-Back / Flip-Back Height Adjustable Armrests (Fig. 7)

1. Move for transfer

Press and hold lever underneath front transfer bar (7 A) while simultaneously lifting up. Armrest will pivot up and slightly behind the back posts.

2. Height Adjustment

- a) Rotate release lever (7 B)
- b) Slide armrest pad up or down to desired height.
- c) Return lever to locked position against arm post.
- d) Push arm pad until upper arm locks firmly into place. The armrest should lock back into place.



⚠ DANGER ⚠

DANGER: Always make sure the arms are locked in place before using them for repositioning yourself. Failure to do so may result in a fall or loss of control and may cause serious injury or death.

⚠ DANGER ⚠

DANGER: Never attempt to lift the chair by the armrests; they may break or disconnect resulting in a fall or loss of control and may cause serious injury or death.

G. Armrest Warnings

- All Ki Mobility armrests are designed to detach from the chair and will not bear even the weight of this chair.
- NEVER lift this chair by its armrests. The armrests will release and the User may fall.
- Lift this chair only by non-detachable parts of the main frame.

⚠ WARNING ⚠

WARNING: Failure to heed these instructions may result in a fall, tip-over or loss of control causing severe injury to the user or others.

V. SET UP & USE OF YOUR WHEELCHAIR

H. Hangers (Fig. 8)

1. Installation

- Place swing-away pivot saddle into the receiver on front frame tube with the footrest facing either inward or outward from the frame. (Fig. 8-A)
- Rotate the footrest so that it aligns with the frame until it locks into place in the latch block. (Fig. 8-B)

2. Swinging the footrest away

- Push release latch toward the frame.
- Rotate footrest outward or inward as desired.

3. Removal

- To remove footrest, push release latch toward the frame.
- Lift the footrest straight upward to remove. You may also swing the footrest inward or outward before lifting it off.

Fig. 8-A

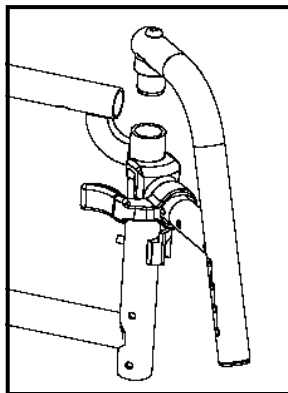
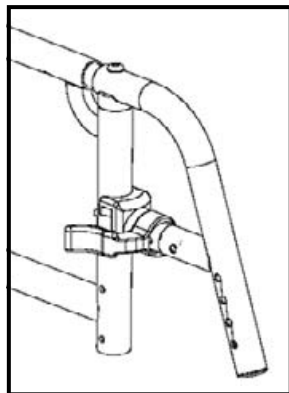


Fig. 8-B



⚠ WARNING ⚠

WARNING: Always make sure the hangers are locked in place before using them or riding the wheelchair. Failure to do so may result in a fall or loss of control and may cause serious injury or death.

⚠ DANGER ⚠

DANGER: Never attempt to lift the chair by the hangers; they may break or disconnect resulting in a fall or loss of control and may cause serious injury or death.

V. SET UP & USE OF YOUR WHEELCHAIR

I. Extension Tubes (Fig. 9)

1. Adjustment

- Remove mounting fasteners from each side of the hanger tube.
- Slide footrest extension tube to the desired height.
- Line up holes and reassemble fasteners in desired hole through hanger and extension tube.
- Follow same procedure on opposite side. (Fig. 9-A & 9-B)

At the lowest point, footrests should be **AT LEAST 2 1/2 INCHES** off the ground. If set too low, they may “catch” on obstacles you would expect to find in normal use. This may cause the chair to stop suddenly and tip forward. (Fig. 9-C)

To Avoid A Trip Or Fall When You Transfer:

- Make sure your feet do not get caught in the space between the footrests.
- Avoid putting weight on the footrests as the chair may tip forward.

Fig. 9-A

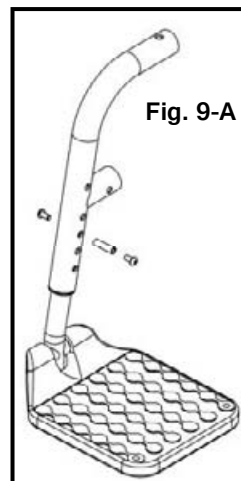


Fig. 9-B

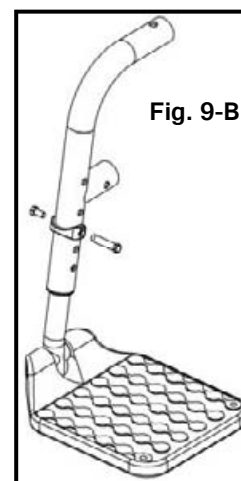
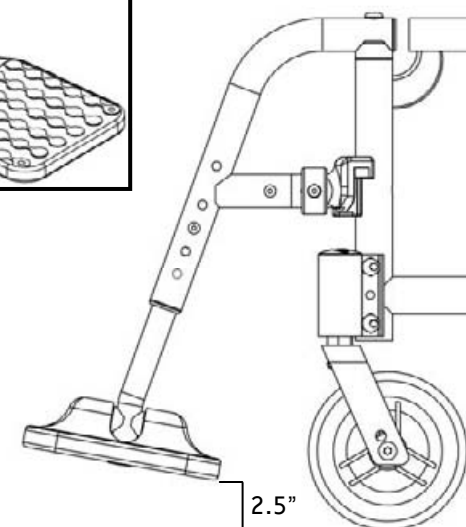


Fig. 9-C



V. SET UP & USE OF YOUR WHEELCHAIR

J. Elevating Leg Rest (Fig. 10)

1. Installation

- Place swing-away pivot saddle into the receiver on front frame tube with the footrest facing either inward or outward from the frame. Similar to swing away footrest pictured in Fig. 8 Page 22.
- Rotate the footrest so it aligns with the frame until it locks into place in the latch block.

2. Removal

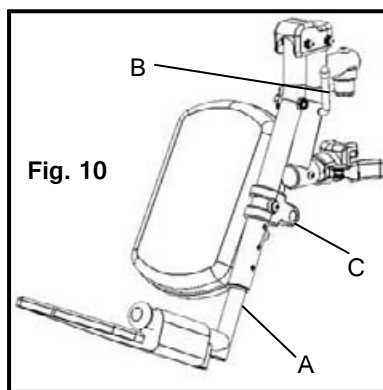
- To remove footrest, push release latch toward the frame.
- Rotate footrest outward and lift.

3. Extension Tube Adjustment

- Remove mounting bolt that is threaded into the leg rest tube in the center of the pad bracket (C). *In some circumstances this bolt may be inserted in the tube below the pivot bracket.*
- Slide footrest extension tube to the desired height.
- Line up holes and replace the bolt through leg rest tube and extension tube.
- Follow same procedure on opposite side.

4. Angle Adjustment

- To raise, lift up on the rear of the extension tube (A). The rod will slide through the ratchet in this direction. Stop at desired position.
- To lower, firmly hold the leg from behind the extension tube (A). Pull forward on the lever (B) and while holding the lever, lift the leg rest. Releasing the lever will cause the leg rest to lock into position.



To Avoid A Trip Or Fall When You Transfer:

- Make sure your feet do not get caught in the space between the footrests.
- Avoid putting weight on the footrests as the chair may tip forward.

▲ WARNING ▲

WARNING: At the lowest point, footrests should be **AT LEAST 2 1/2 INCHES** off the ground. If set too low, they may “catch” on obstacles you would expect to find in normal use. This may cause the chair to stop suddenly and tip forward and could result in a fall or loss of control and may cause serious injury or death

▲ DANGER ▲

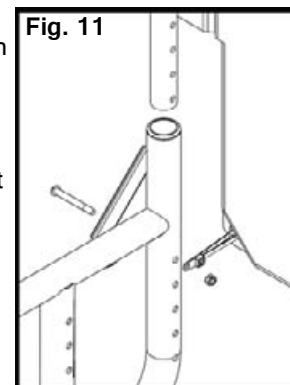
DANGER: Never attempt to lift the chair by the hangers; they may break or disconnect resulting in a fall or loss of control and may cause serious injury or death.

V. SET UP & USE OF YOUR WHEELCHAIR

K. Adjustable Height Backrest (Fig. 11, 12)

1. Height Adjustment

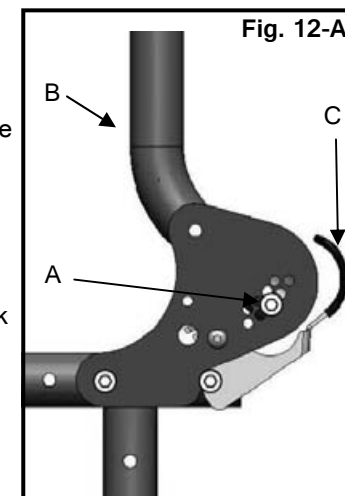
- On the rear side frames there are holes 1 inch apart that affix the back canes.
- Remove the two bolts from each rear side frame.
- After selecting the desired height, replace bolt through frame and backrest tube.
- On the bottom of the upholstery is a tab and zip tie. Either run the frame bolt through the zip tie or if there is not enough room use the extra bolt that was sent with the back upholstery.
- Tighten and remove any excess zip tie.



L. Depth Adjustable Backrest

1. Angle Adjustment (Fig. 12 - A)

- To adjust the angle of the backrest, remove the M6 bolt and nut (A) on both sides going through back plate and back tube.
- Rotate the push handle (B) forward or rearward until you have reached the desired angle.
- Reinsert the two M6 bolts through the back plate into the threaded barrels.
- Repeat on the other backrest.

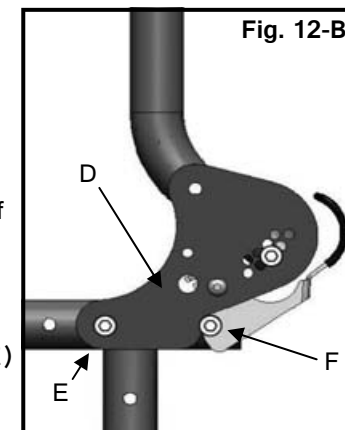


2. Folding (Fig. 12 - A)

- To fold the backrest push the lever (C) toward the front of the chair. The backrest will pivot and fold forward. Repeat with other side.

3. Depth Adjustment (Fig. 12 - B)

- To change the depth of your Catalyst 5, remove the bolt and nut on each side of the back plate at location (E).
- Remove the bolt and nut from each side of the Strike (F). The backrest assembly (D) can then be repositioned into an available hole on the side frame.
- After repositioning, replace the bolts and nuts into the side plate through location (E) and the strike plate (F).



V. SET UP & USE OF YOUR WHEELCHAIR

M. Wheel Installation & Removal (Optional on Some Models)

1. Installing Wheels

- Push in the axle release button on the axle to allow the locking balls to retract. Make note of the difference between the extended and depressed position of the axle release button and its effect on the locking balls on the other end of the axle (Fig. 13-A)
- Insert the axle into the bearing housing on the wheel if it's separate.
- Push on quick release button again and slide axle into axle sleeve. (Fig. 13-A)
- Release the button to lock axle in sleeve. If release button does not fully extend and the locking balls do not move in to the locked position after releasing the button, the axle length needs to be adjusted. (Fig. 13-B)

Fig. 13-A

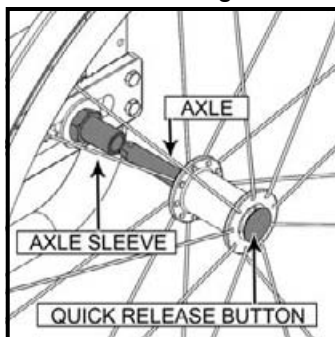
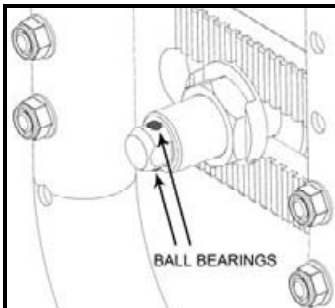


Fig. 13-B



2. Adjusting Axles

- To adjust the axle you will need a 19 mm wrench to turn the outside axle nuts.
- You will also need an 11 mm wrench to hold the ball bearings on the opposite end of the axle, and prevent the axle from turning.
- When the wheel is installed, if the axle does not lock, loosen the axle nut until it locks and axle can move in and out slightly when locked. If the axle locks, but moves in and out slightly, proceed to d)
- Turn the axle nut counterclockwise until it is tight then turn the axle nut clockwise 1/3 turn at a time. Check to see if it is properly adjusted after each 1/3 turn. When properly adjusted there should be no perceptible movement of the axle in and out in the sleeve, but the axle release button should be easy to push in.

Review and understand Section M. Wheel Installation & Removal before attempting an axle adjustment!

3. Removing Wheels

- Hold the wheel close to the hub and push in the button on the outside end of the axle.
- While still holding the button pull the wheel and axle out of the axle sleeve.



DANGER: Make sure the push button is completely extended and the locking balls on the inside of the chair are fully engaged before operating the wheelchair. Failure to do so may result in the wheel falling off and may cause serious injury or death.

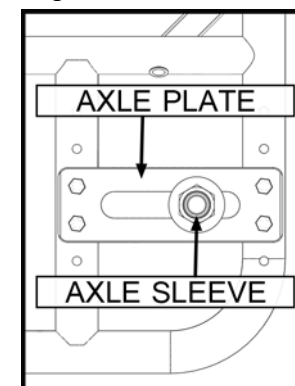
V. SET UP & USE OF YOUR WHEELCHAIR

N. Catalyst 5 & 5Ti

1. Center of Gravity (Fig. 14)

Moving the axle sleeve within the axle plate changes the weight distribution between the casters and the rear wheels. As it is moved forward more of the weight is on the rear wheel. This takes weight off the front casters and can make it easier to maneuver the wheelchair. It also causes the wheelchair to be less stable and makes tipping backward easier. The further back the axle, the more stable the chair becomes. Ki Mobility recommends you work with your authorized Ki Mobility supplier when considering making this adjustment.

Fig. 14



WARNING: You should always use anti-tips when trying your chair after making adjustments to the axle placement. Failure to do so could cause you to tip over or lose control and cause serious injury or death.

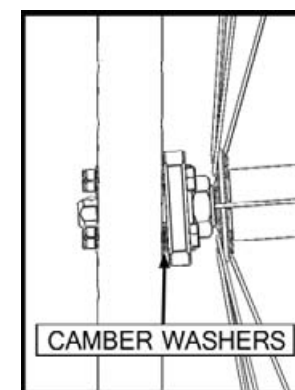


DANGER: Adjusting the axle plate too far forward can result in a chair that may tip over backward resulting in a fall or loss of control and cause severe injury or death.

2. Wheel Camber (Fig. 15)

Adding camber to an axle plate provides more lateral stability to the wheelchair due to the increased width of the wheel base. Additional camber can also make turning easier and can improve access to the handrims. Wheel camber is chosen during the ordering process. No matter what camber was originally set up for the wheelchair it can be changed. To adjust the camber remove the bolts in the axle plate. If more camber is desired add 1 washer for every 1 degree. Do not add more than 6 washers to a bolt! If less camber is desired remove 1 washer for every degree you want to remove. After placing the desired number of washers, re-install the axle plate and the bolts. Do the same for the axle plate on the opposite side of the wheelchair.

Fig. 15



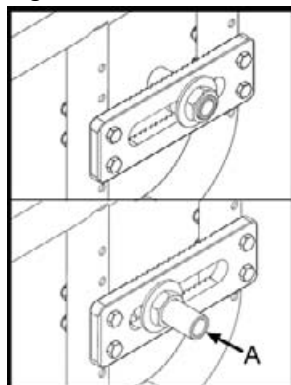
V. SET UP & USE OF YOUR WHEELCHAIR

N. Catalyst 5 & 5Ti (Continued)

3. Adjusting the Wheel Base Width (Fig. 16)

The sleeve that holds the axle is adjustable in and out. Adjusting this sleeve allows the user to move the wheels closer or further away from the axle plate thus increasing or decreasing the overall width. Increasing the overall width will improve side to side stability, but may make it harder to fit through doors. Decreasing the overall width may improve accessibility. When decreasing the overall width, make sure you do not create a condition where the wheels rub on armrests or other parts of the chair.

Fig. 16



- Loosen the nuts and turn the axle sleeve in or out as desired (A). Count the number of threads showing and repeat on the opposite side.
- Retighten nuts.

4. Rear Seat Height Adjustment

The rear seat height can be adjusted by moving the axle plate vertically in the predrilled frame holes. This adjustment allows a 4" vertical seat height adjustment.

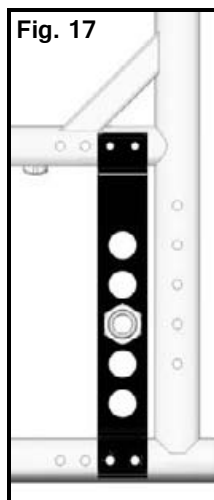
NOTE- A front caster adjustment should be made to correspond with any change in seat height. See section S. Caster Forks.

V. SET UP & USE OF YOUR WHEELCHAIR

O. Catalyst 5Vx

1. Center of Gravity (Fig. 17)

Moving the axle plate on the frame shifts the center of gravity changing the weight distribution between the casters and the rear wheels. As it is moved forward more of the weight is on the rear wheel. This takes weight off of the front casters and can make it easier to maneuver the wheelchair. It also causes the wheelchair to be less stable and makes tipping over backward easier. The further back the axle, the more stable the chair becomes. Ki Mobility recommends you work with your authorized Ki Mobility supplier when considering making this adjustment.



⚠ WARNING ⚠

WARNING: You should always use anti-tips when trying your chair after making adjustments to the axle placement. Failure to do so could cause you to tip over or lose control and cause serious injury or death.

⚠ DANGER ⚠

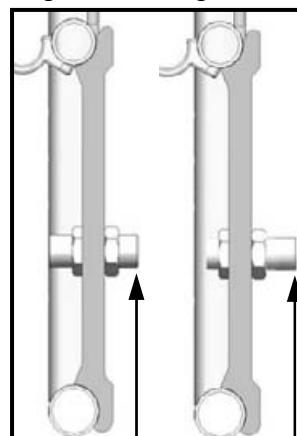
DANGER: Adjusting the axle plate too far forward can result in a chair that may tip over backward resulting in a fall or loss of control and cause severe injury or death

2. Rear Seat Height Adjustment (Fig. 17)

The Seat height can be adjusted by moving the axle sleeve vertically in the predrilled holes in the axle plate. This adjustment allows a 5" vertical seat height adjustment.

NOTE- A front caster adjustment should be made to correspond with any change in seat height. (See Section: S. Caster Forks)

Fig. 18-A Fig. 18-B



3. Adjusting the Wheel Base Width (Fig. 18-A & 18-B)

The sleeve that holds the axle is adjustable in and out. Adjusting this sleeve allows the user to move the wheels closer or further away from the axle plate thus increasing or decreasing the overall width. Increasing the overall width will improve side to side stability, but may make it harder to fit through doors. Decreasing the overall width may improve accessibility. When decreasing the overall width, make sure you do not create a condition where the wheels rub on armrests or other parts of the chair.

- Loosen the nuts and turn the axle sleeve in or out as desired (A). Count the number of threads showing and repeat on the opposite side.
- Retighten nuts.

V. SET UP & USE OF YOUR WHEELCHAIR

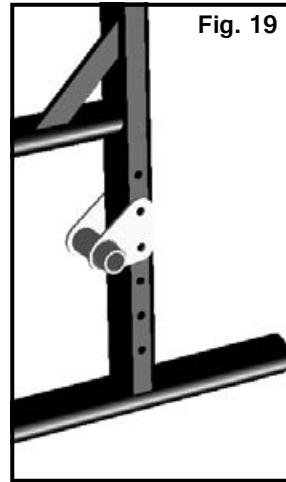
P. Catalyst 4 & 4C

1. Rear Seat Height Adjustment (Fig. 19)

Rear seat height can be adjusted by moving the axle plate vertically in the predrilled holes in the frame.

- a) Remove the 2 hex headed bolts using a 10mm wrench
- b) Reposition the axle plate up or down in 1" increments depending on the change you wish to make. This adjustment allows for a total vertical seat height adjustment range of 5".

NOTE– A front caster adjustment should be made to correspond with any change in seat height. (See Section: S. Caster Forks)



V. SET UP & USE OF YOUR WHEELCHAIR

Q. Spark - Folding Frame (Fig. 20)

1. Folding Frame.

Before attempting to fold the frame remove any seating system that is attached. Also flip up or remove any footplates.

- a) Lift upwards on the strap (A). This will disengage cross brace supports Figure (C) from the seat hooks.
- b) To reopen the frame push down on one of the cross braces (B) until the cross brace supports (C) have completely engaged with the seat hooks.

Fig.20

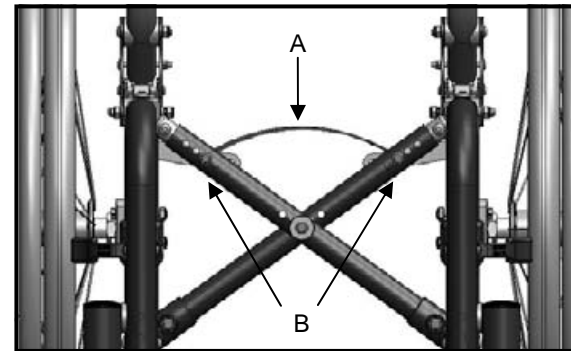
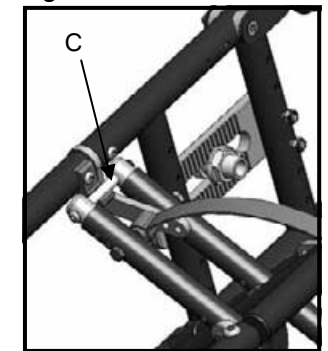


Fig. 21



V. SET UP & USE OF YOUR WHEELCHAIR

Q. Spark - Adjusting Frame Width (Fig. 21, 22)

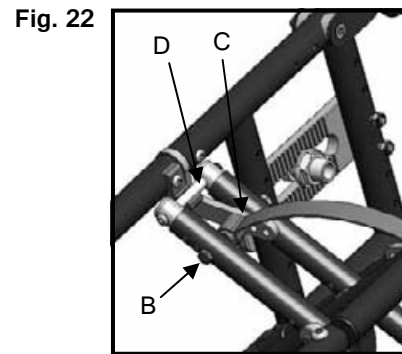
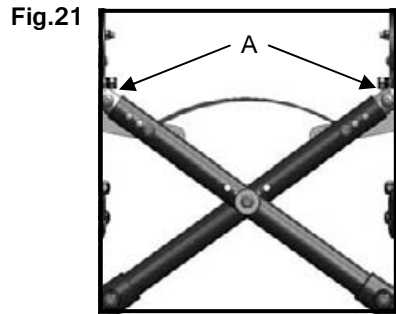
2. Adjusting Frame Width.

To change the width of the frame:

- Remove the bolts that connect the cross braces and the cross brace extensions (Fig. 21 - A) on both sides of the frame. *Note which hole the bolt (Fig. 22 - B) is using in the upper pivot bracket (Fig. 22 - C).*
- Remove bolt (Fig. 22 - D) from center of cross braces.
- Slide cross brace extensions in or out to reach the desired overall width. Each frame is available with 3 seat widths in 1" increments.

To measure the width, take a measure from the outside of the seat frame on one side and the outside of the seat frame on the other side.

- After you locate the desired width slide the bolt (Fig. 22 - B) back through the cross braces and cross brace extensions on both sides. Then locate the center hole that corresponds. If the bolt is in the middle hole of the extension then locate the center hole in the middle, etc.



R. Upholstery Fabric

- You must immediately replace seat and back upholstery that has worn through and shows signs of failing. If you fail to do so, the seat or back may fail.
- The seat sling material will weaken over time. Look for fraying, thin spots, or stretching of fabrics especially at edges and seams. This should be done weekly.
- The repeated action of transferring to your wheelchair will weaken sling material and result in the need to inspect and replace the seat more often.
- Be aware that laundering or excess moisture will reduce flame retardation of the fabric.
- Contact your wheelchair provider if you have concerns about your seat or back, or feel it needs to be replaced.



WARNING: Failure to comply with these instructions may result in damage to your wheelchair, a fall or loss of control causing severe injury to the user or others.

V. SET UP & USE OF YOUR WHEELCHAIR

S. Wheel Locks (Fig. 23, 24)

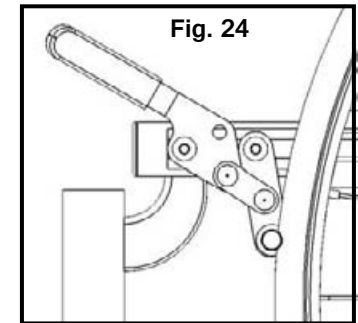
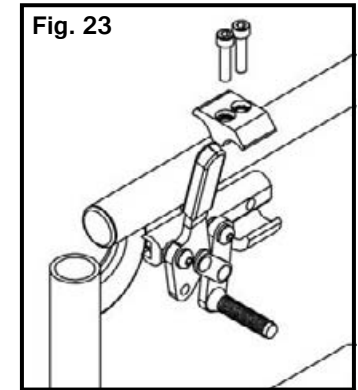
Catalyst wheelchairs are shipped with one of several different types of wheel locks pre-installed.

- Push to Lock
- Pull to Lock
- Push to Lock (flush mount)
- Short thro Scissor

The clamp assembly works the same for all wheel locks.

- Using a 5 mm Allen wrench, turn one of the screws in the clamp until loosened (less than one turn).
- Repeat the same process with the second of the two screws so the clamp can be adjusted on the frame.
- Adjust the clamp toward the rear wheel so, when engaged, the wheel lock compresses the tire and prevents any wheel movement. (Fig. 23)
- Make sure wheel lock arms embed in tires at least 1/8 inch when locked. If you fail to do so, the locks may not work. (Fig. 24)
- Retighten the screws.

Wheel lock clamps require a torque setting of 100 in./lbs.



Rear wheel locks are NOT designed to slow or stop a moving wheelchair. Use them only to keep the rear wheels from rolling when your chair is at a complete stop.

- NEVER use rear wheel locks to try to slow or stop your chair when it is moving. Doing so may cause you to veer out of control.
- To keep the rear wheels from rolling, always set both rear wheel locks when you transfer to or from your chair.
- Low pressure in a rear tire may cause the wheel lock on that side to slip and may allow the wheel to turn when you do not expect it.
- Make sure lock arms embed in tires at least 1/8 inch when locked. If you fail to do so, the locks may not work.



DANGER: Failure to read or comply with these instructions may result in a fall or loss of control causing severe injury to the user or others.

V. SET UP & USE OF YOUR WHEELCHAIR

T. Caster Forks (Fig. 25)

The caster forks allow the interchanging of casters and the adjusting of the front seat height.

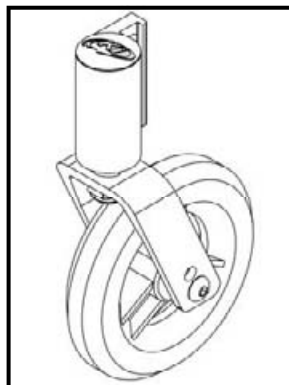
To adjust:

- Loosen the axle nut and remove the axle.
- You can reposition the axle and caster up or down in 1/2" increments to change the front seat height.
- Replace axle and tighten nut.

If a different caster is desired, determine the difference in height between the new and old caster (to maintain seat height: 1" taller caster size adjusts up 1 hole position.)

If you have changed your front seat height you should square the caster housing. (See Below)

Fig. 25

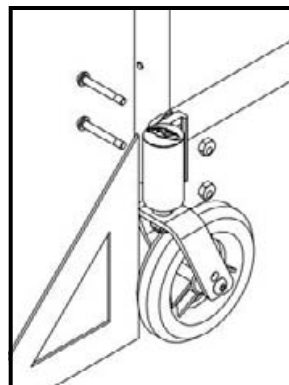


U. Caster Angle Adjustment (Fig. 26)

The caster housing should always be at a 90° angle to the floor (perpendicular to the ground). This is adjusted using a special fastener and an eccentric nut.

- To change the angle of the caster housing, it is best to place the chair on a flat surface.
- Remove the bolt from the inside of the frame.
- Place a square against the table and the front of the caster housing to realign the housing.
- Push the bolts back through the frame.
- Rotate the eccentric nuts independently until they fit both on the bolt and within the slot of the caster housing.
- Retighten the two bolts slowly ensuring the housing remains square.
- Repeat the process for the other caster.

Fig. 26



V. SET UP & USE OF YOUR WHEELCHAIR

V. Anti-Tips (Optional)

Anti-tip tubes help prevent your wheelchair from tipping over backwards. When adjusted properly they provide a significant increase in rearward stability. Your stability can be affected by traversing uneven ground, a ramp, slope or other surface that changes your relationship to gravity. Your stability can also be affected by other forces acting on you and your wheelchair such as someone pushing down or leaning on your push handles or other parts of your chair. This can happen to even the most experienced wheelchair user. People in your environment do not necessarily understand they are impacting your stability.

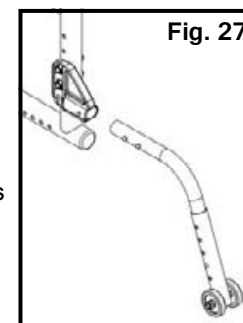
Ki Mobility strongly recommends the use of Anti-Tip tubes!

⚠ WARNING ⚠

Anti-tips must be used at all times. Whether traversing uneven ground or sitting in a crowded room, the unexpected may occur and your weight can dramatically shift causing a fall which could cause serious injury or death.

1. Installing Anti-Tips (Fig. 27)

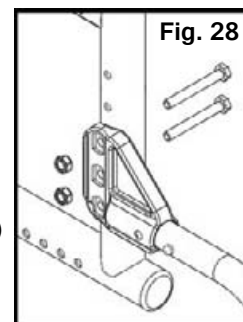
- Compress the 2nd detent button on the anti-tip tube so the front detent button is drawn inside.
- Insert the anti-tip tube into receiver mounted on the side frame.
- Rotate the anti-tip tube downward until the small wheels are adjacent to the floor. The detent button should now be aligned with a hole on the receiver. Release the detent button and it will engage with the receiver.
- Insert second anti-tip tube the same way.



2. Adjusting Position of Anti-Tip Receiver (Fig. 28)

You should only need to adjust your Anti-Tip Receiver if you change your the chair. If you make changes that require you to adjust the position of your receiver, follow these steps:

- Remove bolts that connect the anti-tip tube receiver to the side frame of your chair.
- The holes are in 1" increments so you can move it farther up on the frame or lower on the frame. Place the bracket at the desired height.
- Reinsert bolts and tighten. (If the bolts also connected the armrest and the axle plate you may need to contact your supplier for additional hardware.)
- Repeat with second anti-tip tube receiver. Both brackets should be at exactly the same height.
- Replace anti-tip tubes as instructed above.



⚠ DANGER ⚠

DANGER: Failure to read and heed these instructions may result in damage to your wheelchair, a fall or loss of control causing severe injury to the user or others.

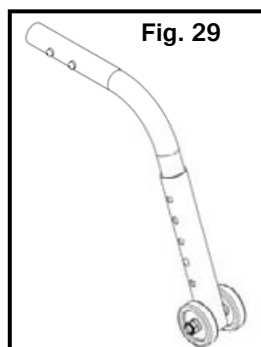
V. SET UP & USE OF YOUR WHEELCHAIR

V. Anti-Tips (Continued)

3. Adjusting Height of Wheel Extension (Fig. 29)

The anti-tip tube wheel extension may need to be raised or lowered to achieve the proper clearance of 1 1/2" to 2" above the ground.

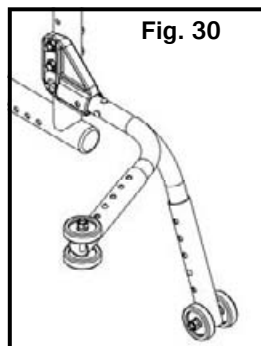
- Compress the detent buttons until they are inside the tube wall. This will allow the outer tube to slide up and down on the inner tube.
- Slide the Extension tube up or down until you achieve the desired height.
- Release the buttons.
- Adjust the second wheel extension the same way. Both wheels should be at exactly the same height.



4. Turning Anti-Tip Tubes Up (Fig. 30)

You may find it necessary to turn the anti-tip tubes up when being pushed by an attendant, to climb curbs or overcome obstacles.

- Compress the 2nd detent button on the anti-tip tube so the front detent button is drawn inside.
- Hold the button in and turn the anti-tip tube up.
- Release the button.
- Repeat with second anti-tip tube.
- Return the anti-tip tubes down to their safe position as soon as possible.



V. SET UP & USE OF YOUR WHEELCHAIR

W. Seat Sling

Seat sling includes a folding strap on the seat to assist in folding the chair.

NOTE- The seat sling folding strap is not intended as a carrying strap.

X. Cushion Installation

- The Catalyst was designed to be used with a proper wheelchair cushion.



DANGER: Sitting for long periods of time without a proper wheelchair cushion can cause pressure ulcers which can be serious in nature and result in death.

- The standard sling upholstery is provided with loop Velcro type fastener strips. The cushion being used should have hook Velcro type fasteners that can engage the loop of the seat sling to keep the cushion from sliding out from under you. Make sure the cushion is securely attached before transferring or sitting in the wheelchair.
- A standard seat sling may not have been provided with your chair. Check with your wheelchair provider if an aftermarket replacement to the original equipment sling has been provided. If so, make sure you follow the instructions for the use provided by the aftermarket manufacturer.



WARNING: Failure to secure a cushion can cause it to slide out during use or transfers and could result in a fall or loss of control and cause severe injury or death.

Y. Oxygen Tank Holder

1. Instructions for Use:

This oxygen tank holder has been design to secure D cylinders to your wheelchair. Make sure that the bottle is well seated in the bottom of the holder and that the clamp is tightened to the point that the cylinder cannot be pulled out.

Oxygen tanks can be dangerous, make sure you follow all instructions for use from the tank's provider.



DANGER: Failure to follow these instructions and the instructions for use of the cylinder from the cylinder's provider can result in severe injury or death.

VI. MAINTENANCE

A. Inspecting Your Wheelchair

Regular and routine maintenance will extend the life of your wheelchair while improving its performance. Wheelchair repairs and the replacement of parts should be done by a qualified technician of an authorized Ki Mobility Supplier.

1. General Inspections

- a) Clean your chair at least once per month. You may need to clean your chair more frequently if you operate it in dirty environments, such as a work site.
- b) Check to be sure that all fasteners are tight. Unless otherwise noted, fasteners should be tightened to 40 in./lbs.
- c) Check Tires and Casters:
 - Check the tire for tread wear. Replace the tires if the tread is worn off or has flat spots or visible cracks.
 - If you have inflatable tires with a valve stem, check the pressure and set to the pressure listed on the tire sidewall.
- d) Check spoke wheels for loose spokes.
- e) Check your wheel locks. As tires wear the wheel locks should be adjusted. **See R. Wheel Locks on Page 31.**
- f) Check your upholstery for tears or sagging. Your upholstery is designed to be tightened because it will stretch over time. **See Q. Upholstery Fabric on Page. 30**

DANGER

DANGER: Replace worn tires. The wheel locks will not grip properly if you fail to maintain the air pressure shown on tire sidewall. This could result in a fall or loss of control and cause severe injury or death.

VI. MAINTENANCE

A. Inspecting Your Wheelchair (Continued)

Weekly

- a) Check wheel lock to be sure they are adjusted correctly.
- b) Check axle sleeves to ensure that the axle sleeve nuts are tight.
- c) Check for broken, bent or loose spokes.
- d) Check that casters can spin freely.
- e) Inspect tires and casters for wear spots.
- f) Check pneumatic tires for proper inflation.

Monthly

- a) Inspect rear wheel axles and tighten if necessary.
- b) Inspect caster housing bearings for hair build up and remove if necessary.
- c) Inspect wheel locks to be sure assembly is tight. Make sure wheel locks properly engage the tires.
- d) Check that all fasteners are tight and secure.
- e) Inspect hand grips to ensure they are not loose.
- f) Inspect frame for any deformities, defects, cracks, dimples or bends. These could be signs of fatigue in the frame which could result in a failure of the chair. Discontinue use of the wheelchair immediately and contact your authorized Ki Mobility dealer.

Annually

- a) Have wheelchair checked and adjusted by a qualified technician.

WARNING

WARNING: After adjustments and before using this wheelchair, make sure that all of the fasteners are tight and secure or injury or damage may occur.

CAUTION

CAUTION: Do not over-tighten fasteners as this could damage the frame tubing.

DANGER

DANGER: Failure to read and comply with these instructions may result in a fall or loss of control causing severe injury or death to the user or others.

VI. MAINTENANCE

B. Cleaning

1. Axles and wheels

- a) Clean around the axles and wheels WEEKLY with a damp rag.
- b) Hair and lint will lodge in the caster housing. Disassemble the caster housing every six months to remove entangled hair.

NOTE: Do not use WD-40 or any other penetrating oil on this wheelchair. This will destroy the sealed bearings.

NOTE: Do not use any chemical cleaning agents on casters or tires.

2. Upholstery

- a) Hand-wash only (machine washing can cause damage to the fabric).
- b) Line dry only. DO NOT machine dry; heat from the dryer will damage fabric.

WARNING

WARNING: Failure to read and comply with these instructions may result in damage to your wheelchair, a fall or loss of control causing severe injury to the user or others.

C. Storage

- a) When not in use, keep your chair in a clean, dry area. Failure to do so may result in your chair rusting and/or corroding.
- b) If your chair has been in storage for more than a few weeks you should make sure it is working properly. You should inspect and service, if necessary, all items in section VI. A. Inspecting your Wheelchair.
- c) If your chair has been in storage for more than two months, it should be serviced and inspected by your authorized supplier before you use it.

WARNING

WARNING: Failure to read and comply with these instructions may result in damage to your wheelchair, a fall or loss of control causing severe injury to the user or others.

VII. WARRANTY

Ki Mobility warrants the frame, hangers and quick-release axles of this wheelchair against defects in materials and workmanship for the life of the original purchaser. All other Ki Mobility-made parts and components of this wheelchair are warranted against defects in materials and workmanship for one year from the date of first consumer purchase.

The expected life of the frame is five years.

Limitations to the Warranty

1. We do not warrant:
 - a) Wear items: Upholstery, tires, armrest pads, tubes, armrests and push-handle grips.
 - b) Damage resulting from neglect, misuse or from improper installation or repair.
 - c) Damage from exceeding weight limit.
2. This warranty is VOID if the original chair serial number tag is removed or altered.
3. This warranty is VOID if the original chair has been modified from its original condition and it is determined that the modification resulted in failure.
4. This warranty applies in the USA only. Check with your supplier to find out if international warranties apply.

Ki Mobility's Responsibility

Ki Mobility's only liability is to replace or repair, at our discretion, the covered parts. There are no other remedies, expressed or implied.

Your Responsibility

- a) Notify Ki Mobility, via an authorized supplier, prior to the end of the warranty period and get a return authorization (RA) for the return or repair of the covered parts.
- b) Have the supplier send the authorized return, freight pre-paid, to:
Ki Mobility
- c) Pay any charges for labor to repair or install parts.

